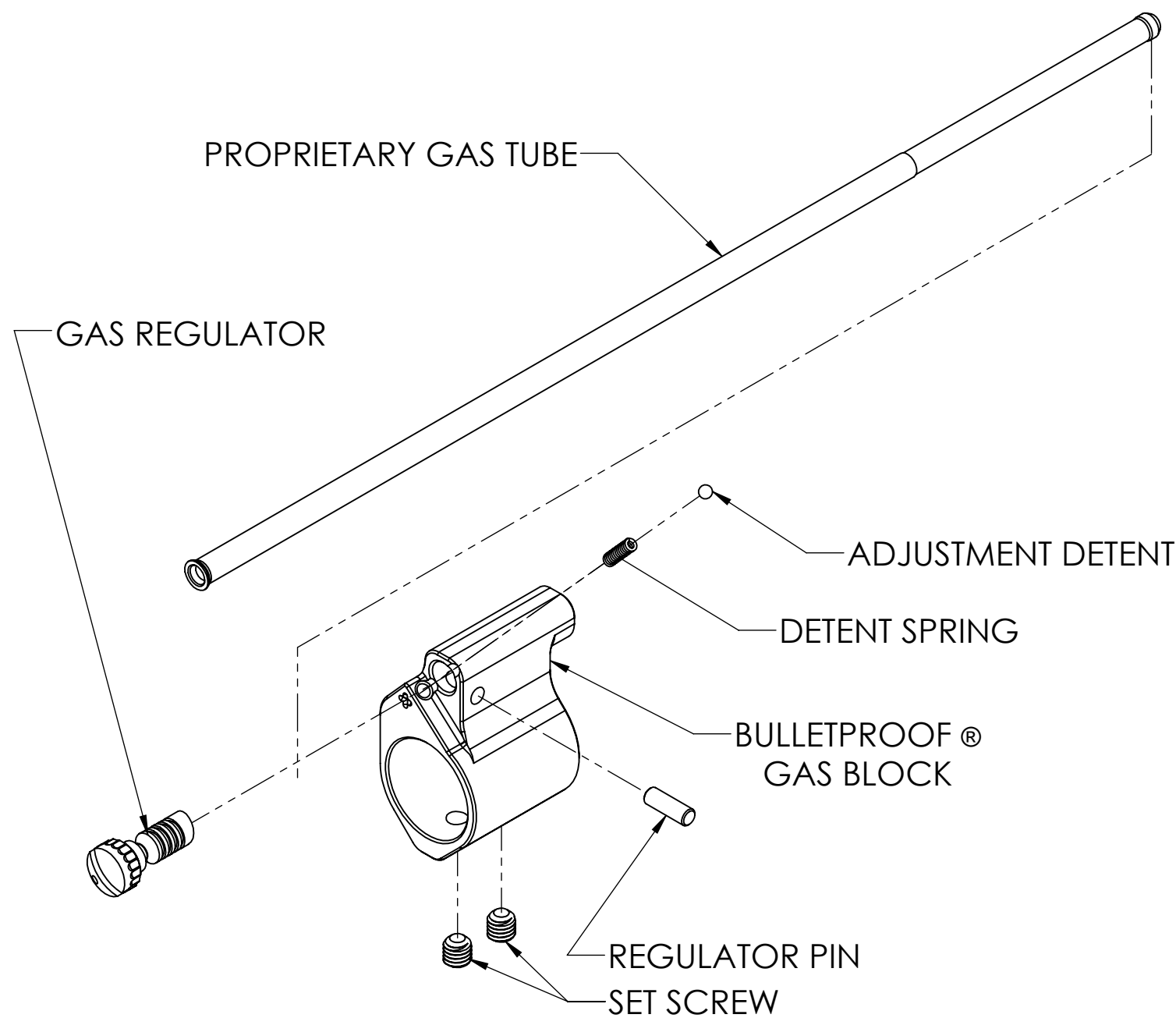
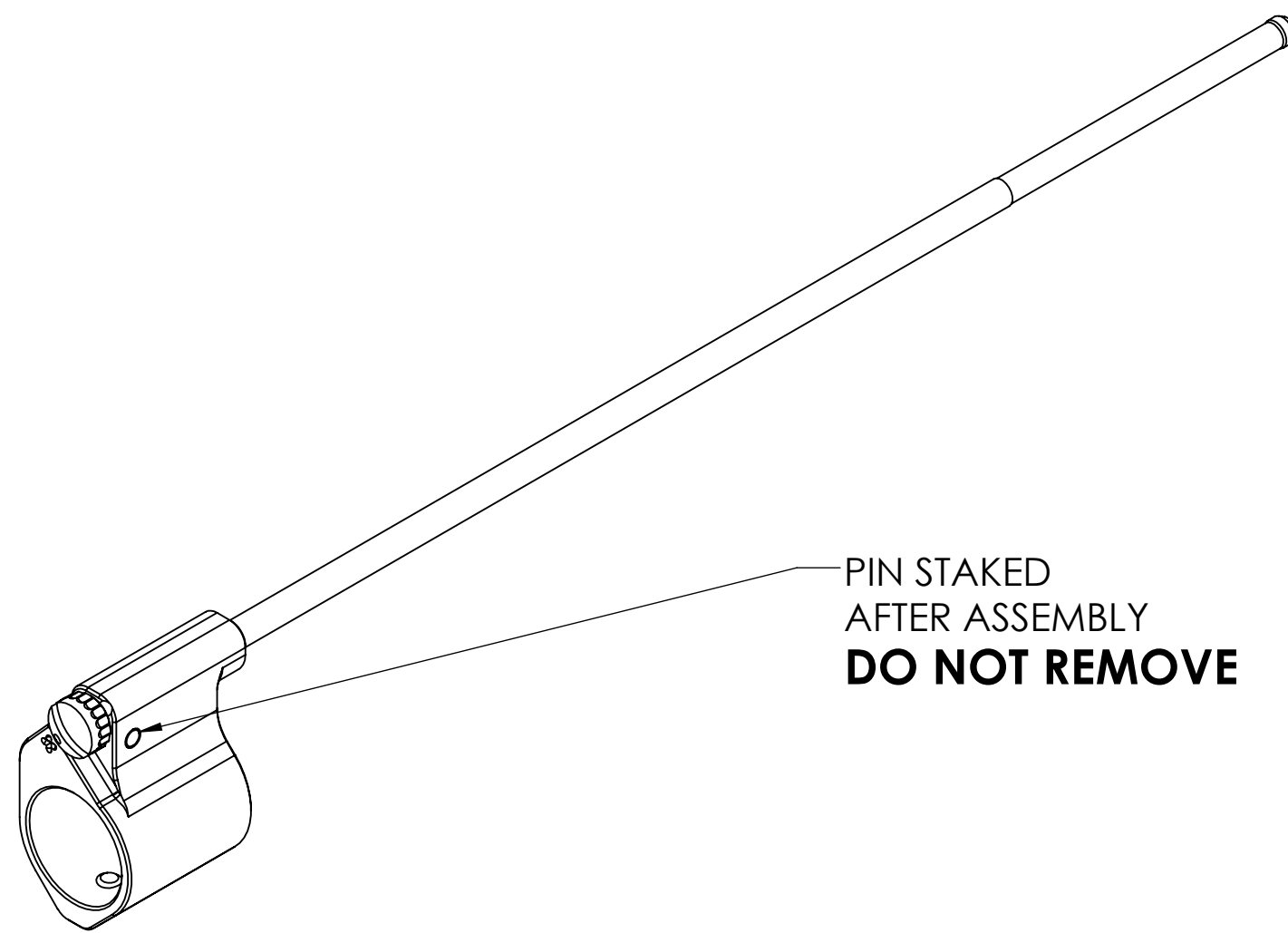


SHEET NUMBER	DESCRIPTION
SHEET 1	EXPLODED COMPONENT VIEW / PART NUMBER SPREADSHEET
SHEET 2	GAS BLOCK SIZE ARMORER'S REFERENCE
SHEET 3	GAS TUBE LENGTH ARMORER'S REFERENCE

REVISIONS				
SYM	DESCRIPTION	DATE	DRAFT	CHECK
A	RELEASED FOR MARKETING	05/01/2020	ANT	JAW
B	SHEET 2: OVERALL HEIGHT AND DIAMETER ADDED	06/24/2020	ANT	JAW



EXPLODED



ASSEMBLED

		GAS BLOCK SIZE (SEE SHEET 2)			
		WC-15 ϕ .750	WC-15 ϕ .875	WC-10 ϕ .750	WC-10 ϕ .875
GAS TUBE LENGTH (SEE SHEET 3)	PISTOL LENGTH	TR-AGB750-P	-	-	-
	CARBINE LENGTH	TR-AGB750-C	TR-AGB875-C	TR-AGB750-10C	TR-AGB875-10C
	MID-LENGTH	TR-AGB750-M	TR-AGB875-M	TR-AGB750-10M	TR-AGB875-10M
	INTERMEDIATE LENGTH	TR-AGB750-IN	-	TR-AGB750-10IN	-
	WC-15 RIFLE LENGTH	TR-AGB750-R	TR-AGB875-R	-	-
	WC-10 RIFLE LENGTH	-	-	TR-AGB750-10R	TR-AGB875-10R

NOTICE: PROPRIETARY DATA
THIS DOCUMENT CONTAINS TRADE SECRETS AND UNPUBLISHED PROPRIETARY INFORMATION WHICH IS THE PROPERTY OF WILSON'S GUN SHOP, INC. DBA WILSON COMBAT. BY ACCEPTING POSSESSION OF THIS DOCUMENT, THE RECIPIENT AGREES TO KEEP THIS DOCUMENT AND THE INFORMATION THEREIN CONFIDENTIAL AND TO NOT DISCLOSE SUCH INFORMATION EXCEPT AS SPECIFICALLY AUTHORIZED IN WRITING FROM WILSON COMBAT AND TO KEEP THE DOCUMENTS SAFE AND TO RETURN THEM TO WILSON COMBAT UPON DEMAND.

UNLESS OTHERWISE SPECIFIED
DIMENSIONS ARE IN INCHES
ANGLES: X \pm .5°
DECIMALS: XX \pm .01
XXX \pm .005
THIRD ANGLE PROJECTION

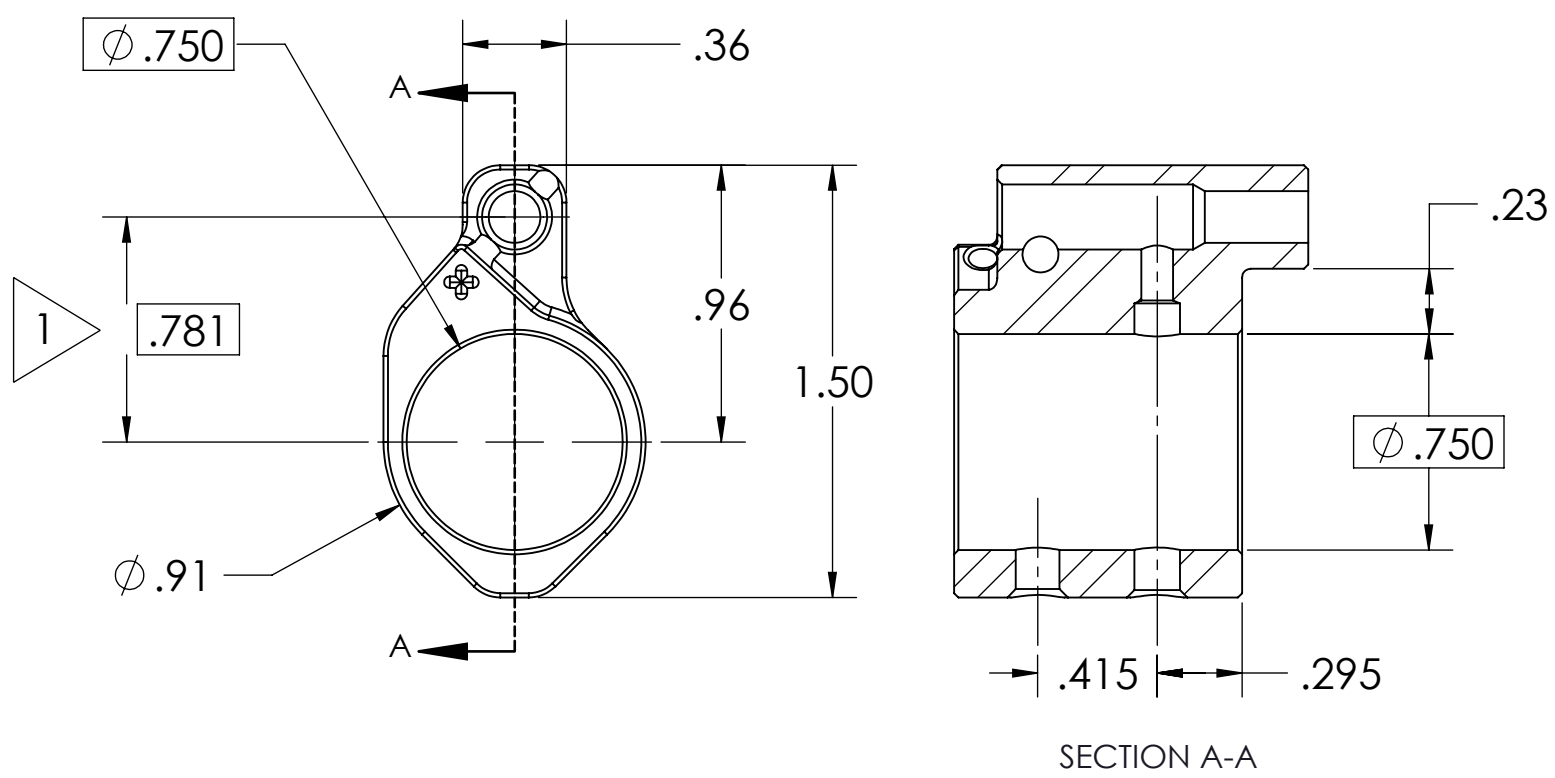
ORIGINAL DRAWING
ANT 05/01/20
ENG. APPROVAL
-
INSP. APPROVAL
-
PROD. APPROVAL
-

WILSON COMBAT®
2452 CR 719, BERRYVILLE, AR 72616
**BULLET PROOF® ADJUSTABLE
GAS BLOCK SPEC SHEET**

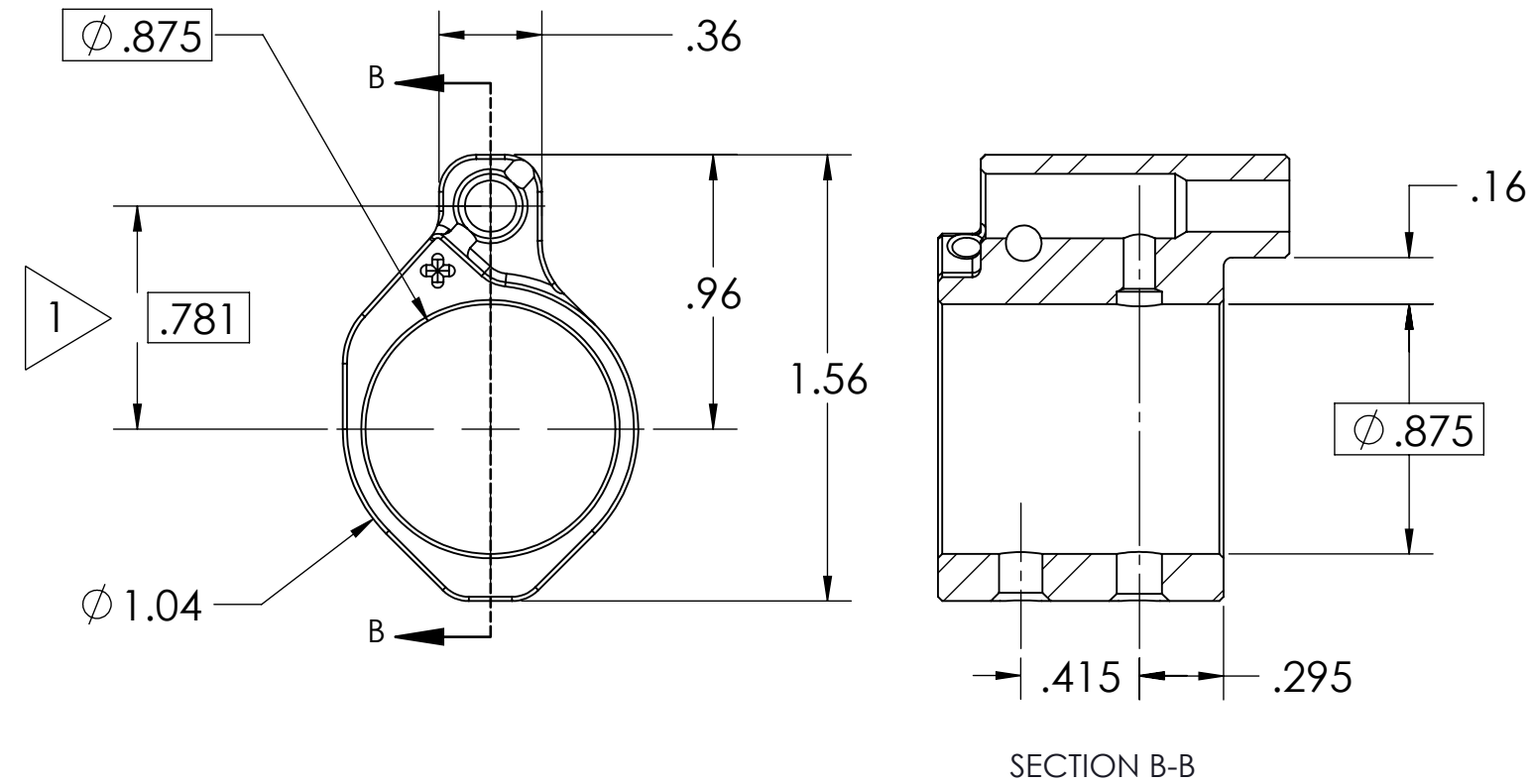
DRAWING NUMBER	REV.	SIZE	SCALE	SHEET
19-0166	B	C	1:1	1 OF 3

SHEET NUMBER	DESCRIPTION
SHEET 1	EXPLODED COMPONENT VIEW / PART NUMBER SPREADSHEET
SHEET 2	GAS BLOCK SIZE ARMORER'S REFERENCE
SHEET 3	GAS TUBE LENGTH ARMORER'S REFERENCE

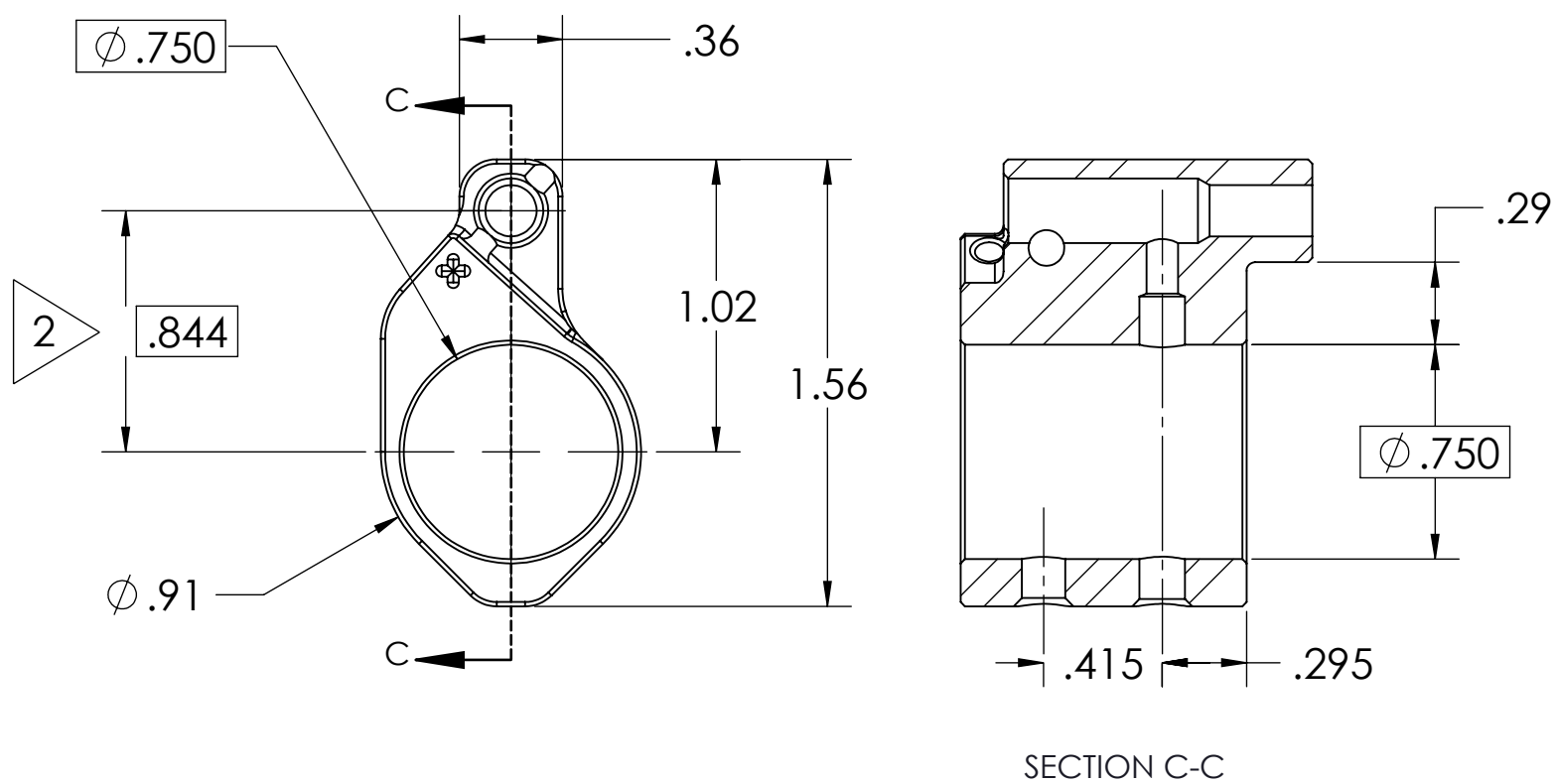
REVISIONS				
SYM	DESCRIPTION	DATE	DRAFT	CHECK
A	RELEASED FOR MARKETING	05/01/2020	ANT	JAW
B	SHEET 2: OVERALL HEIGHT AND DIAMETER ADDED	06/24/2020	ANT	JAW



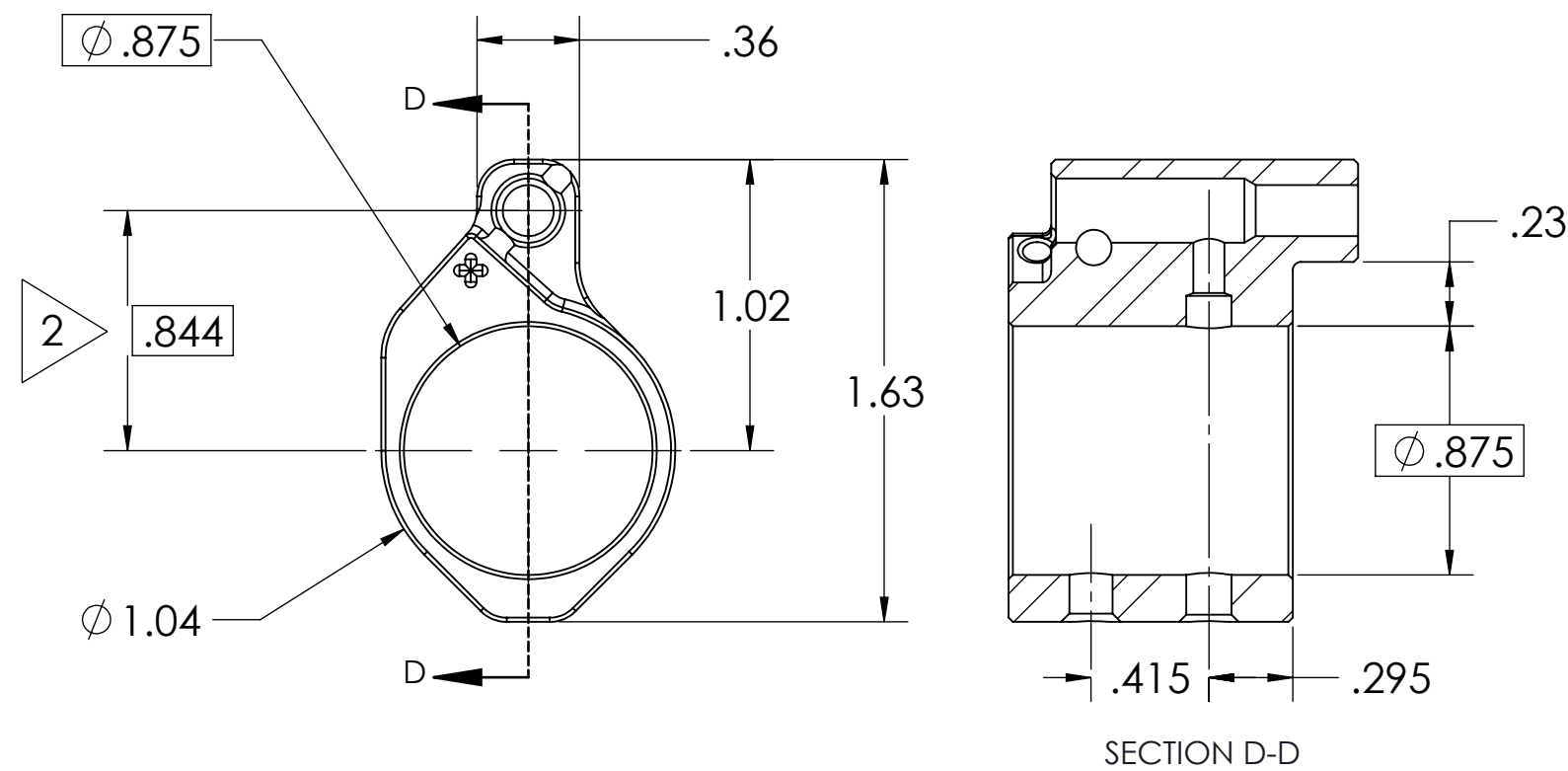
WC-15 ϕ .750



WC-15 ϕ .875




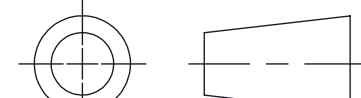
WC-10 ϕ .750



WC-10 ϕ .875

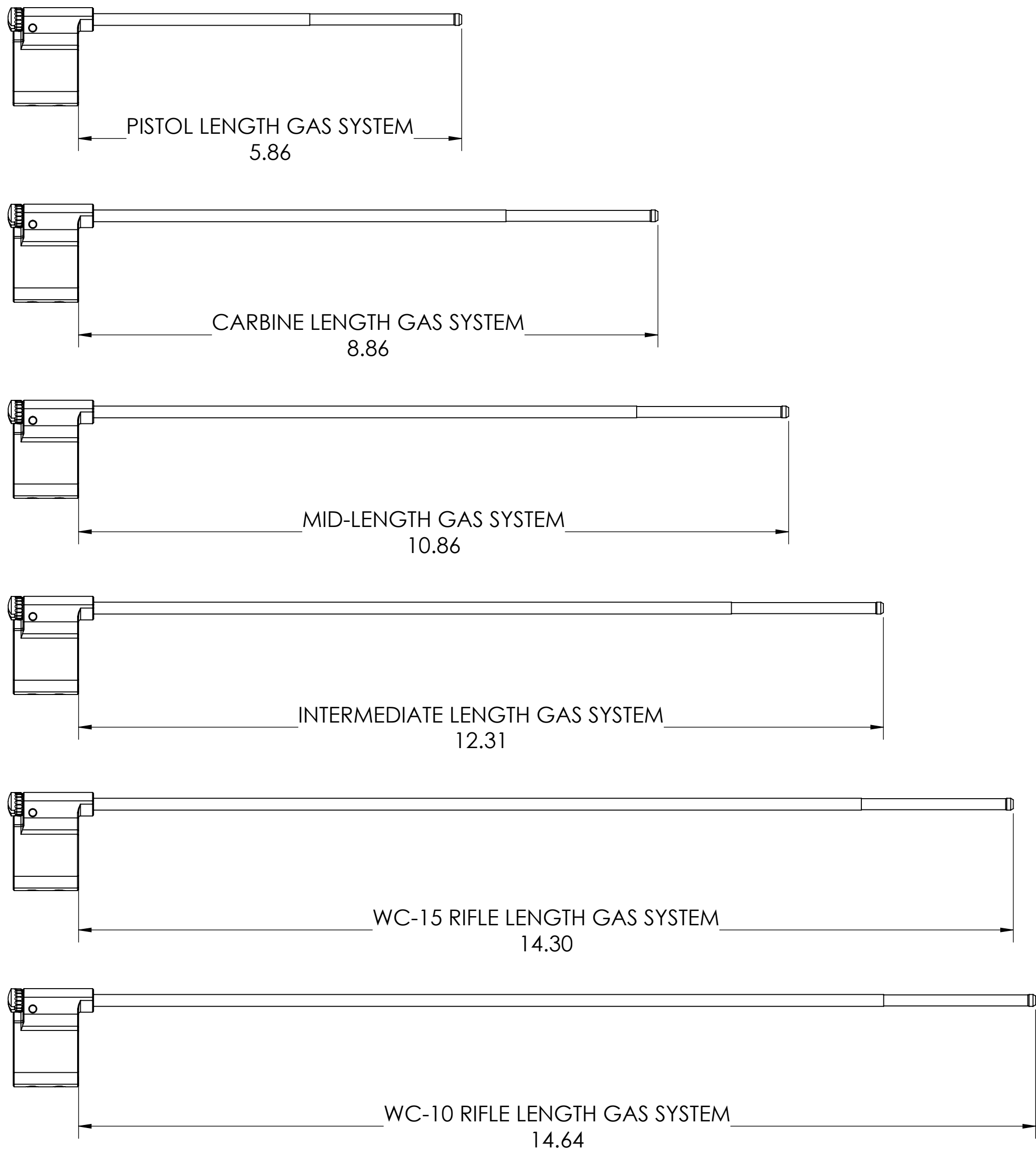
NOTES:

- 1 COMPATIBLE WITH WC-15 & MIL-SPEC AR-15 PATTERN RECEIVERS.
- 2 COMPATIBLE WITH WC-10 & SR-25/DPMS PATTERN RECEIVERS.

<p>NOTICE: PROPRIETARY DATA</p> <p>THIS DOCUMENT CONTAINS TRADE SECRETS AND UNPUBLISHED PROPRIETARY INFORMATION WHICH IS THE PROPERTY OF WILSON'S GUN SHOP, INC. DBA WILSON COMBAT. BY ACCEPTING POSSESSION OF THIS DOCUMENT, THE RECIPIENT AGREES TO KEEP THIS DOCUMENT AND THE INFORMATION THEREIN CONFIDENTIAL AND TO NOT DISCLOSE SUCH INFORMATION EXCEPT AS SPECIFICALLY AUTHORIZED IN WRITING FROM WILSON COMBAT AND TO KEEP THE DOCUMENTS SAFE AND TO RETURN THEM TO WILSON COMBAT UPON DEMAND.</p>	UNLESS OTHERWISE SPECIFIED DIMENSIONS ARE IN INCHES	ORIGINAL DRAWING ANT 05/01/20	 <p>WILSON COMBAT®</p> <p>2452 CR 719, BERRYVILLE, AR 72616</p>		
	ANGLES: X \pm 5° DECIMALS: XX \pm .01 XXX \pm .005	ENG. APPROVAL -		<p>BULLET PROOF® ADJUSTABLE</p> <p>GAS BLOCK SPEC SHEET</p>	
	THIRD ANGLE PROJECTION	INSP. APPROVAL -			
		PROD. APPROVAL -			
DRAWING NUMBER 19-0166		REV. B	SIZE C	SCALE 1:1	SHEET 2 OF 3

SHEET NUMBER	DESCRIPTION
SHEET 1	EXPLODED COMPONENT VIEW / PART NUMBER SPREADSHEET
SHEET 2	GAS BLOCK SIZE ARMORER'S REFERENCE
SHEET 3	GAS TUBE LENGTH ARMORER'S REFERENCE

REVISIONS				
SYM	DESCRIPTION	DATE	DRAFT	CHECK
A	RELEASED FOR MARKETING	05/01/2020	ANT	JAW
B	SHEET 2: OVERALL HEIGHT AND DIAMETER ADDED	06/24/2020	ANT	JAW



NOTES:

- OPTIMIZED FOR USE ON WILSON COMBAT AR BARRELS. VERIFY GAS SYSTEM LENGTH PRIOR TO PURCHASE FOR USE ON NON-WILSON COMBAT AR BARRELS.
- PROPRIETARY WILSON COMBAT GAS TUBE REQUIRED. ATTEMPTING TO USE A NON-WILSON COMBAT GAS TUBE MAY RESULT IN DAMAGE OR INJURY.

NOTICE: PROPRIETARY DATA
THIS DOCUMENT CONTAINS TRADE SECRETS AND UNPUBLISHED PROPRIETARY INFORMATION WHICH IS THE PROPERTY OF WILSON'S GUN SHOP, INC. DBA WILSON COMBAT. BY ACCEPTING POSSESSION OF THIS DOCUMENT, THE RECIPIENT AGREES TO KEEP THIS DOCUMENT AND THE INFORMATION THEREIN CONFIDENTIAL AND TO NOT DISCLOSE SUCH INFORMATION EXCEPT AS SPECIFICALLY AUTHORIZED IN WRITING FROM WILSON COMBAT AND TO KEEP THE DOCUMENTS SAFE AND TO RETURN THEM TO WILSON COMBAT UPON DEMAND.

UNLESS OTHERWISE SPECIFIED
DIMENSIONS ARE IN INCHES
ANGLES: X ±.5°
DECIMALS: .XX ±.01
.XXX ±.005
THIRD ANGLE PROJECTION

ORIGINAL DRAWING
ANT 05/01/20
ENG. APPROVAL
-
INSP. APPROVAL
-
PROD. APPROVAL
-

WILSON COMBAT®
2452 CR 719, BERRYVILLE, AR 72616
**BULLET PROOF® ADJUSTABLE
GAS BLOCK SPEC SHEET**

DRAWING NUMBER	REV.	SIZE	SCALE	SHEET
19-0166	B	C	1:1	3 OF 3